

CRYSTAL II SGN



IP40



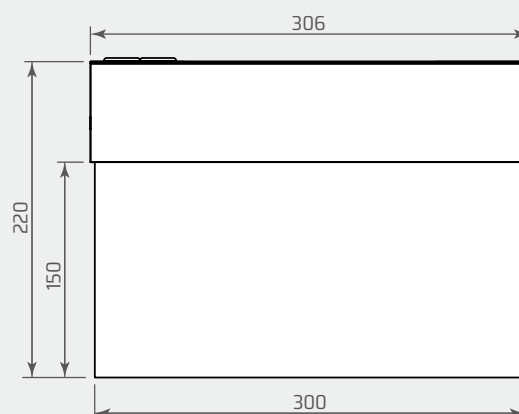
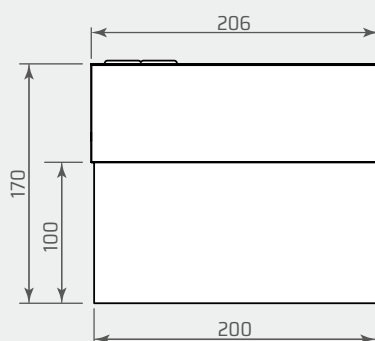
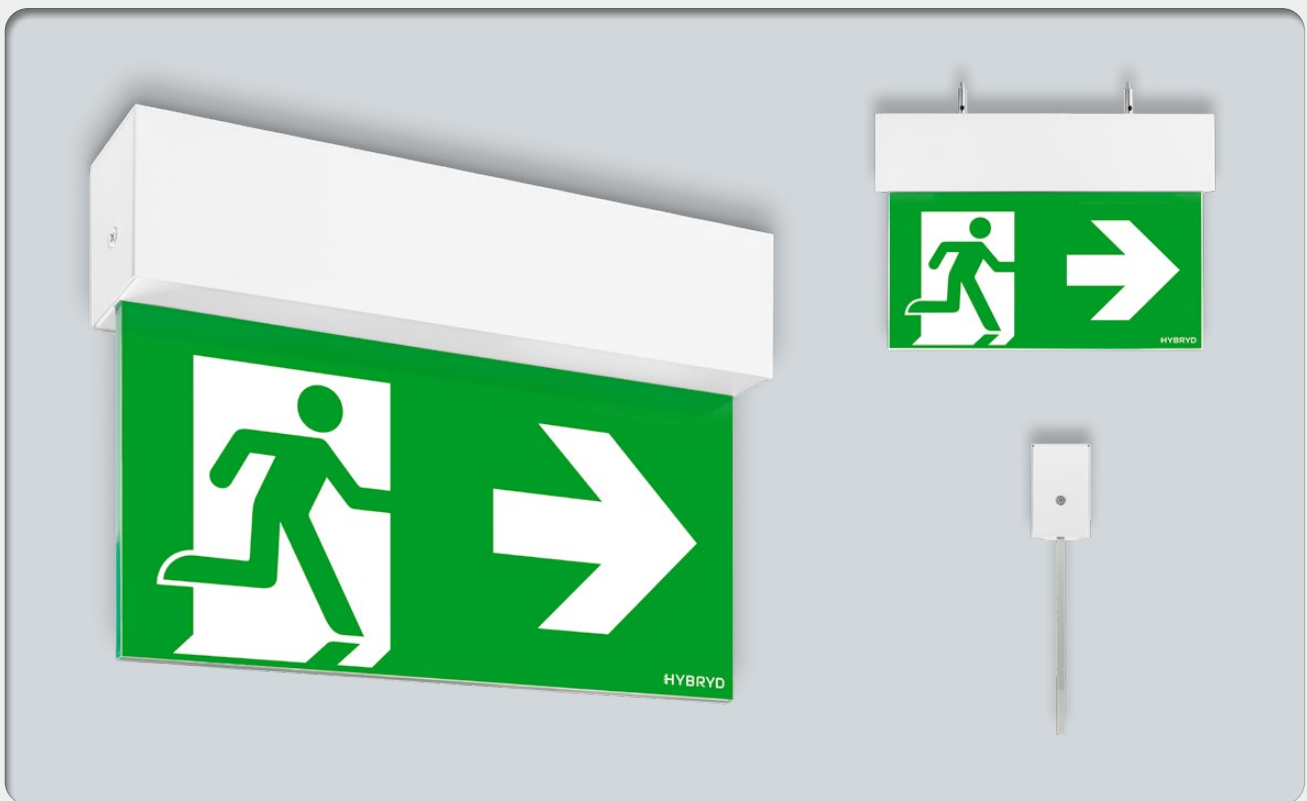
CRYSTAL II SGN is a low power LED luminaire designed for emergency escape lighting installed inside buildings.

Depending on the mounting type allows for the surface, suspended or recessed installation. Its main task is to indicate escape routes by means of internally illuminated evacuation signs in the ISO 7010 standard.

Safety sign visibility:

20x10cm  20m

30x15cm  30m



LUMINAIRE FEATURES

- Luminaire shows the directions of escape
- LED indicators signalling the luminaire state
- Deep discharge battery protection
- Maintained or switched maintained operation mode
- Possibility of connecting to the monitoring system or collective power supply system
- Two luminaire sizes
- A lot of mounting types
- Housing is made of steel, lamp shade of PMMA
- Installation inside the building

AVAILABLE SYSTEMS

AUTOTEST - (AT) internal components, battery and light source tests being performed automatically

CENTRALTEST - (CT) internal components, battery and light source tests being performed on command from the main unit of central management system

CB - luminaire supplied from HVCBS (230V AC / 216V DC / 108V DC), without address module

CBAM - luminaire supplied from the HVCBS (230V AC / 216V DC), with built-in address module

LVAM - luminaire supplied with 24V DC from the LVDBS system, with built-in address module

TECHNICAL DATA

Supply voltage	AT, CT	230V AC 50/60Hz
	CB, CBAM	230V AC 50/60Hz 170 - 275V DC
	LVAM	10 - 32V DC
Protection class	AT, CT	I
	CB, CBAM	I
	LVAM	III
Ingress protection	IP40	
Light source	LED strip ¹⁾	
Light source supply power	1W	
Light source lifespan	> 50 000h	
Battery type	Li-Ion	
Battery voltage	3.7V	

Battery capacity	Li-Ion	0.7Ah, 2.2Ah, 4.4Ah
Battery recharging time	AT, CT	≤ 12h
Emergency operation time	AT, CT	1h, 3h, 8h
Ambient temperature	AT, CT	+5 - +40°C TE: ²⁾ -20 - +40°C
	CB, CBAM	-10 - +45°C TE: ²⁾ -20 - +45°C
	LVAM	-25 - +60°C
Supply cable cross-section area	0.5 - 2.5mm ²	
Supply cable diameter	≤ 17mm	
Communication cable diameter	CT	≤ 7mm
Through wiring	✓	
Suitable for surface wiring	✓	

¹⁾ Non-exchangeable, but serviceable light source; ²⁾ TE - extended temperature range

MATERIAL

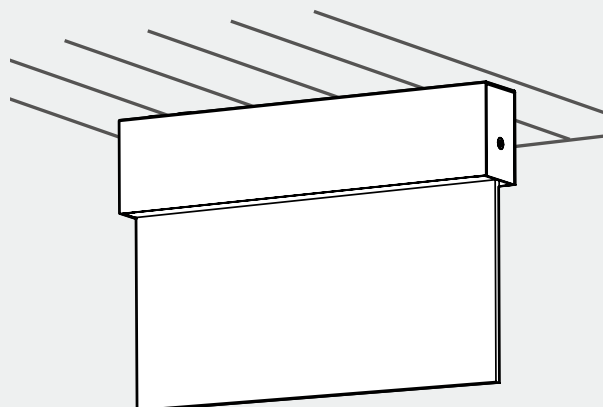
Housing material - powder coated steel

Housing colour - ○ RAL 9003, other colours on special order

Lamp shade material - transparent PMMA

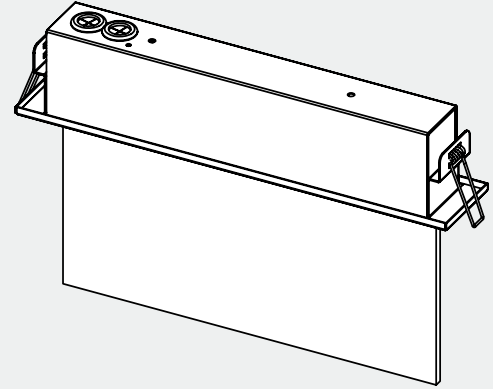
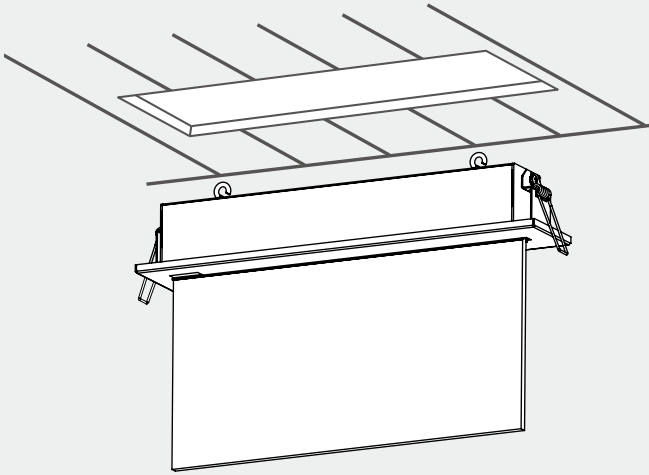
MOUNTING TYPE

Directly to the ceiling

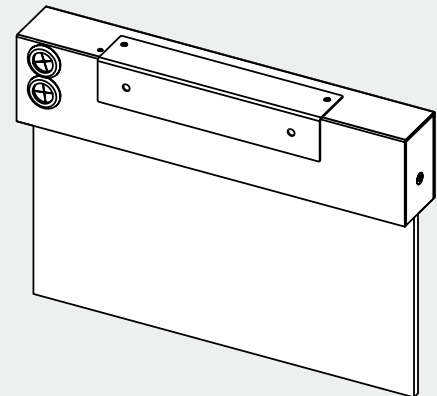
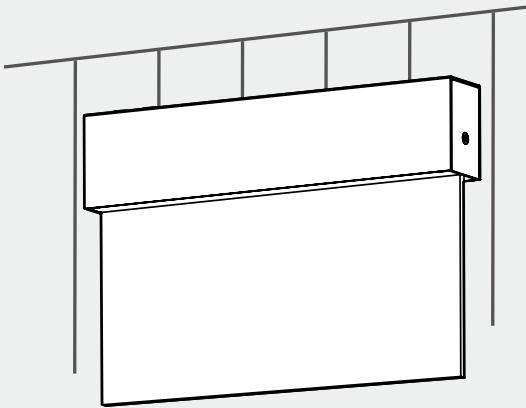


MOUNTING ACCESSORY

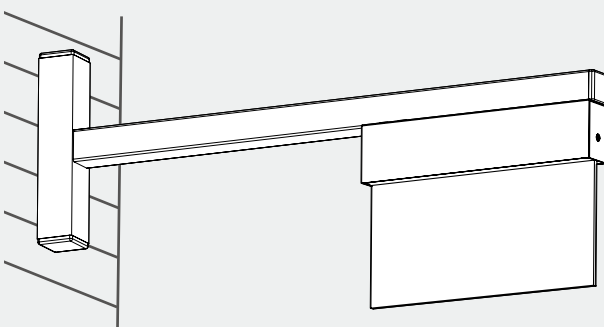
C162 - recessed



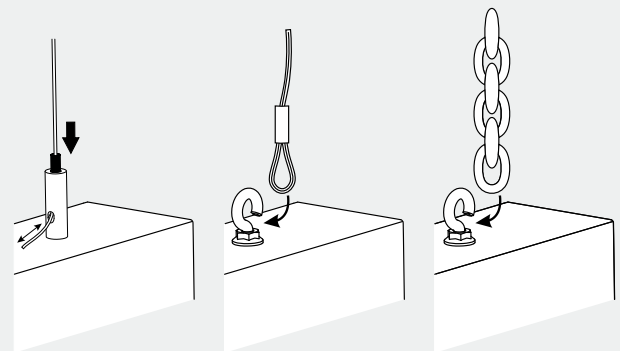
W163 - back to the wall



W164 - side to the wall (semaphore)

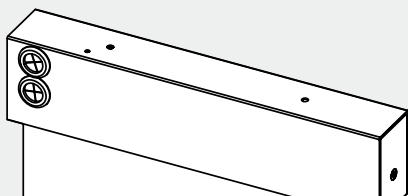


UMK C200, C201, C202 - suspended

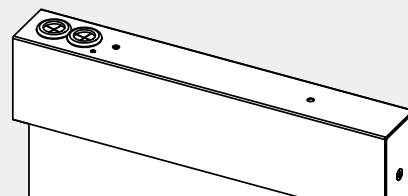


GROMMETS LOCATION

H - insertion of the grommets from the back of the luminaire



V - insertion of the grommets from the top of the luminaire



SAFETY SIGNS

Signs visible on both sides:

P03	
P04	
PI05	
PI06	
PI15	
PI17	
PI18	
PI21	
PI22	
PI23	
PI24	
PI25	
PI26	
PI27	

Signs visible on one side only:

P03/00	
P04/00	
PI05/00	
PI06/00	
PI15/00	
PI17/00	
PI18/00	
PI21/00	
PI22/00	
PI23/00	
PI24/00	
PI25/00	
PI26/00	
PI27/00	

SET OF SAFETY SIGNS



The set consists of 4 safety signs, ~10x10cm or ~15x15cm stickers.

It allows to compose your own sign **PIXX** from „Safety signs” table by selection stickers and arrow rotation.

ORDERING

	CRYSTAL II SGN	0000	-	20x10	-	CB	-	X	-	M	-	TS	-	9003	-	FT	-	H	-	PI21
Variant:																				
0000 - base																				
0001 - extended warranty																				
Safety sign size:																				
20x10 - 200x100 mm																				
30x15 - 300x150 mm																				
System variant:																				
AT - autotest																				
CT - centraltest																				
CB - HVCBS centrally supplied luminaire																				
CBAM - HVCBS centrally supplied luminaire, with address module																				
LVAM - LVDBS centrally low voltage supplied luminaire, with address module																				
Emergency operation time:																				
1h - 1 hour																				
3h - 3 hours																				
8h - 8 hours																				
X - not applicable (CB, CBAM)																				
Operation mode:																				
M - maintained																				
SM - switched maintained																				
X - not applicable (CB, CBAM)																				
Ambient temperature range:																				
TS - standard																				
TE - extended																				
Housing colour:																				
9003 -  RAL 9003																				
9005 -  RAL 9005																				
9006 -  RAL 9006																				
... - other on special order																				
Surface finishing:																				
FT - fine texture																				
... - other on special order, outside of the standard stock program																				
Grommets location:																				
H - insertion of the grommets from the back of the luminaire																				
V - inserting the grommets from the top of the luminaire																				
Safety sign:																				
... - symbol from the table „Safety signs“																				
NOP - no safety sign																				
Plx - safety sign for later explanation																				
S - set of safety signs																				